

HJ5 SERIES SINGLE-AXIS HAND OPERATED JOYSTICK

Hj5系列
握杆型单轴操作手柄

产品特点 Product Features

- Hall effect without contact angle detection.
- Friction , mechanical lock optional at center or end position
- Wide supply voltage range



应用范围 Application

Typical application on mining machinery, off-highway vehicle.

技术参数 Technical Information

Electrical data

Hall

Power supply	5±0.5Vdc
Power supply current	<11mA
Maximum allowance overload voltage	30Vdc
Reverse polarity voltage(max)	-15Vdc
Center output voltage	2.5±0.1V
Output linearity tolerance	<±0.2V

With electronic amplifier

Power supply	9~18Vdc (U11~U15) ; 18~36Vdc(U21~U25)
Power current consumption	20mA

Mechanical features

Travel angle	±30°、±35°、±45°
Operating type	Friction
Breakout force	28N (14N , BH handle)
Operating force (max)	28N (30N , BH handle)
Maximum allowable force	>300N
Expecting life	about 1 million cycles
Weight	450g (without handle)

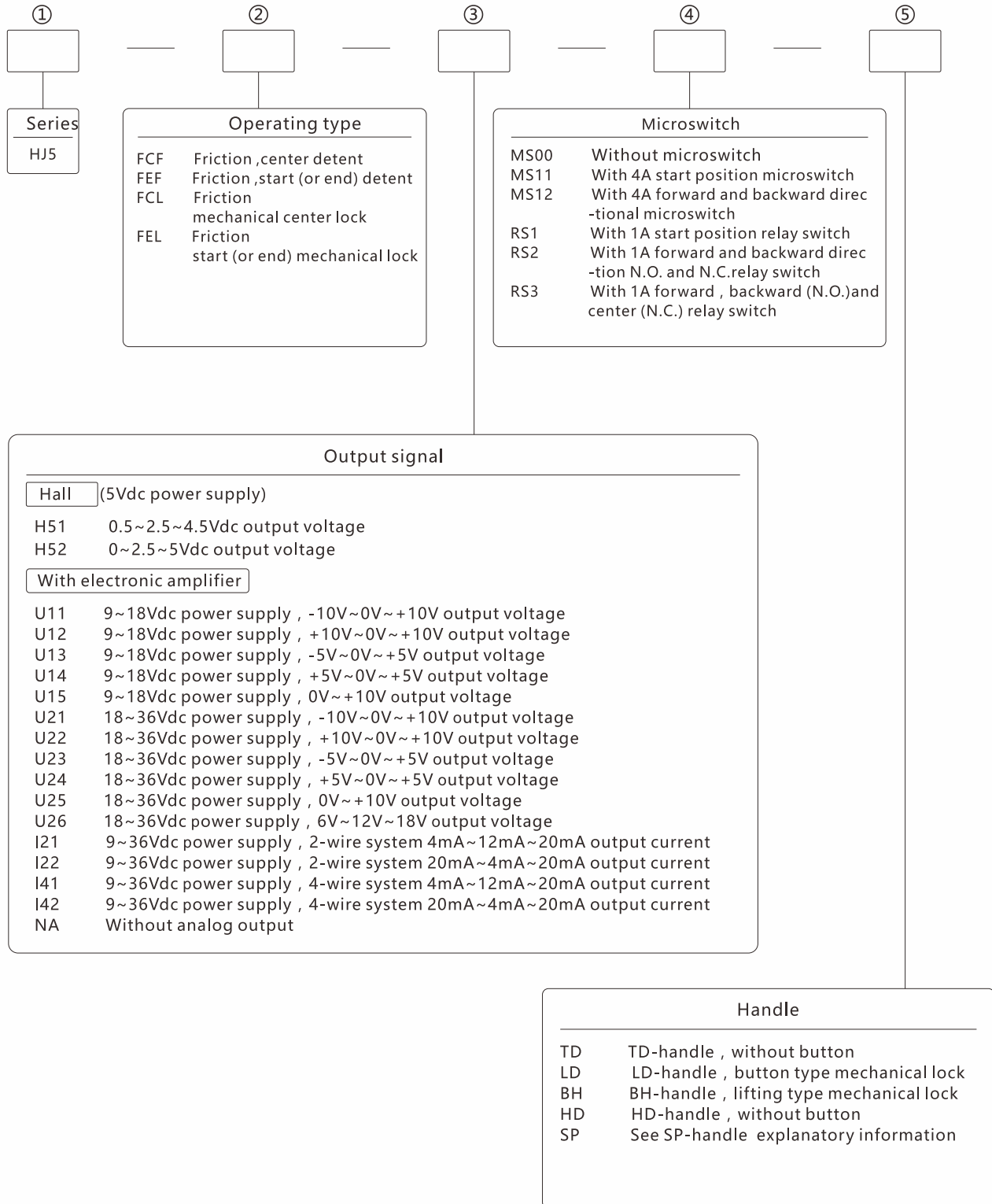
Environmental data

Operating Temperature	-30°C ~ +70°C
Storage Temperature	-40°C ~ +85°C
Protection level	IP54(BH handle) IP65(Other handle)



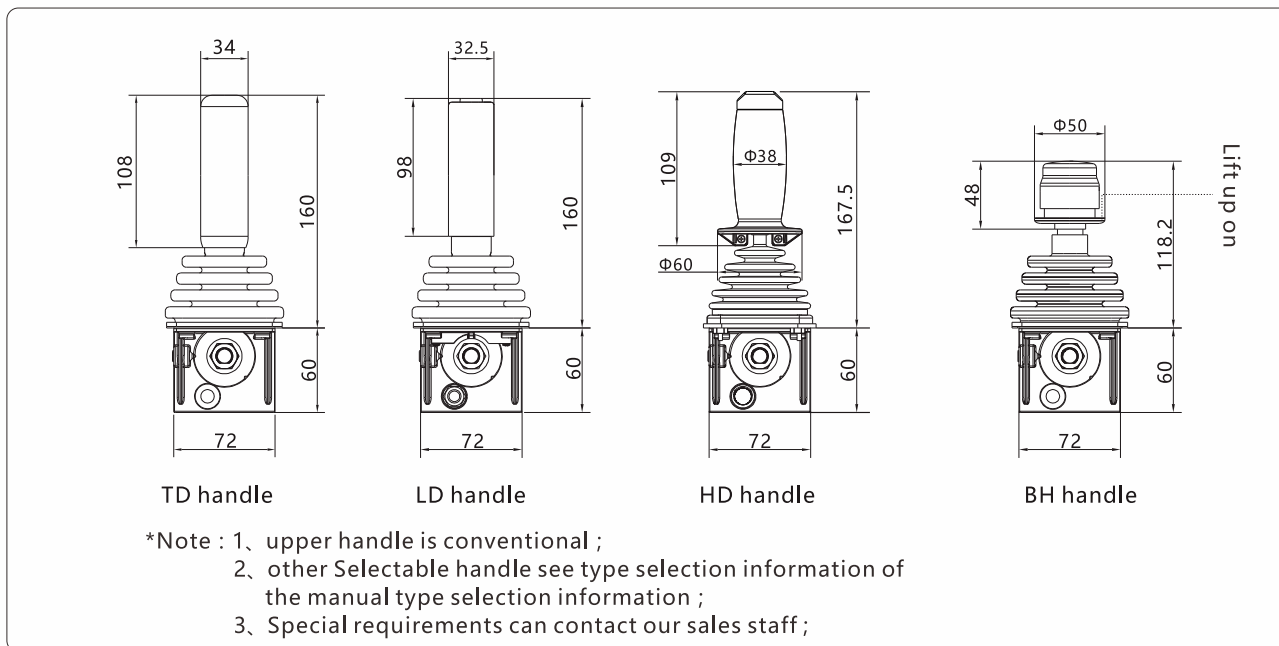
HJ5 SERIES SINGLE-AXIS HAND OPERATED JOYSTICK

产品选型 Product Configuration

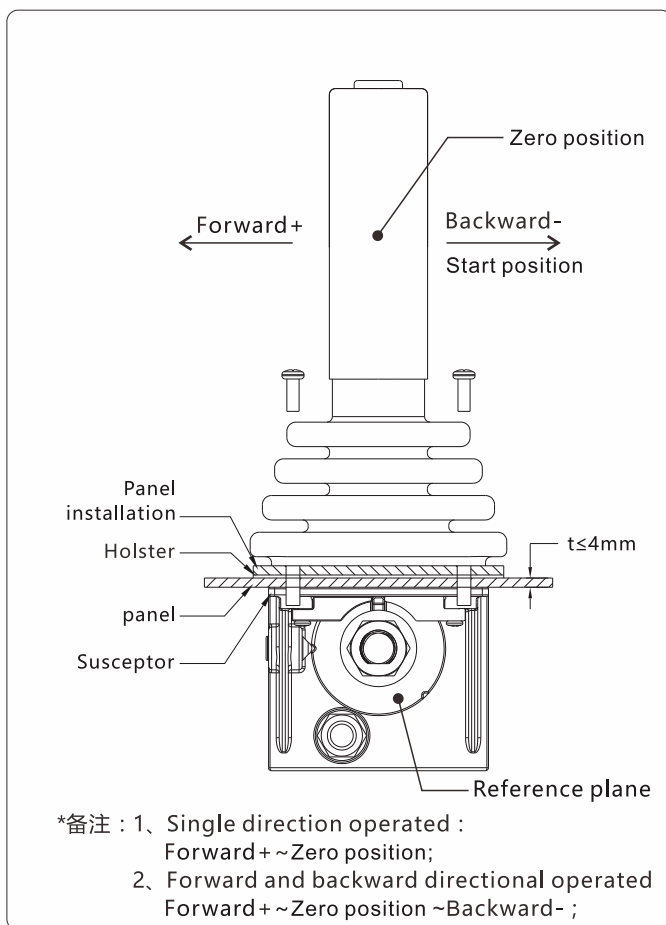


HJ5 SERIES SINGLE-AXIS HAND OPERATED JOYSTICK

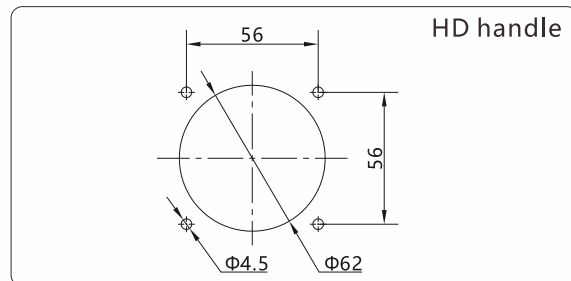
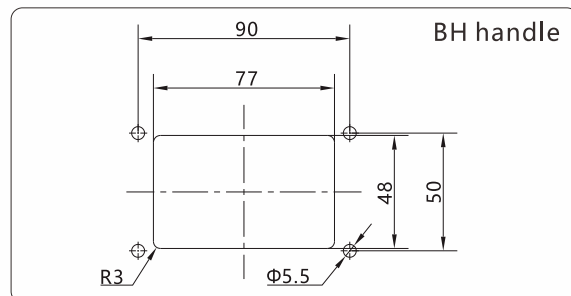
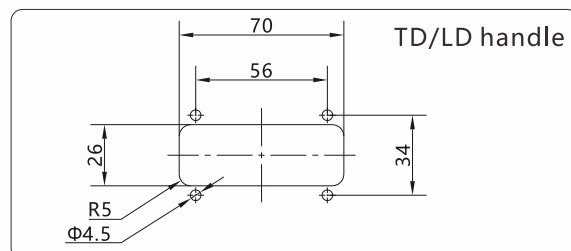
外形尺寸 Dimensions



机械安装 Product Installation



Panel opening



HJ5 SERIES SINGLE-AXIS HAND OPERATED JOYSTICK

电气安装 Electrical Connections

Hall		
NO.	Hall	Colour
1	VCC	Red
2	GND	Black
3	OUT	Yellow
4	Normally open switch 1	White
5	Normally open switch 2	Blue

With electronic amplifier connections (output voltage)			
No.	Colour	RS2	RS3
1	Brown	9~18Vdc	9~18Vdc
		18~36Vdc	18~36Vdc
2	Blue	0V	0V
3	Black	Output positive	Output positive
4	White	Output negative	Output negative
5	Yellow	com	com
6	Green	Forward switch (N.O.)	Forward switch (N.O.)
7	Red	Backward switch (N.O.)	Backward switch (N.O.)
8	Purple	Forward switch (N.C.)	Center switch (N.C.)
9	Gray	Backward switch (N.C.)	Center switch (N.C.)

